

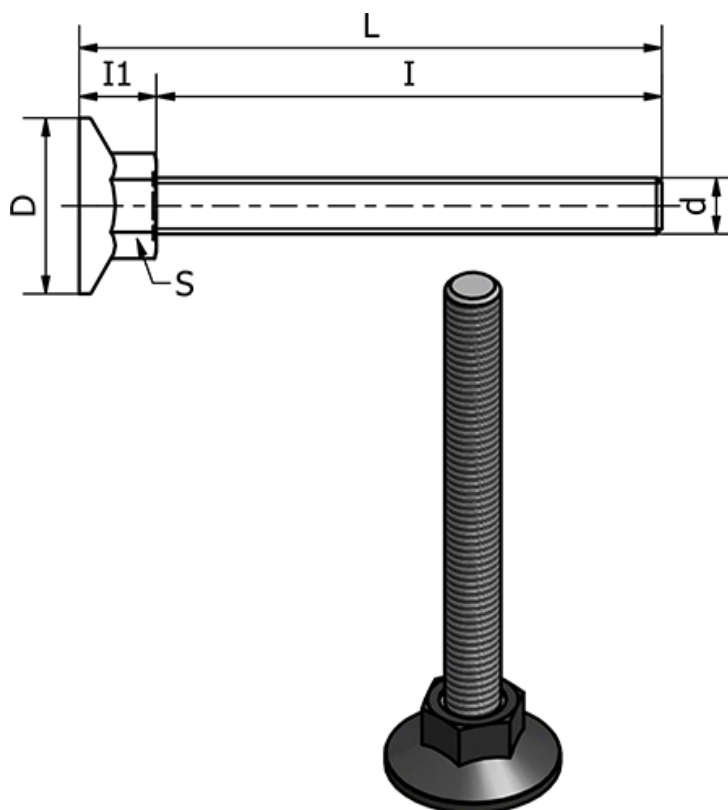
Data Sheet



Article number: 2310431105S

Description: E+G Levelling elements
LX.25-SW13-SST-M6X56-S

Measures



d = M6

D = 25

I = 56

I1 = 11

L = 67

S = 13

Static load in (N) = 1500

Type = AISI 304 Rustfast

Weight (g) = -